

| | |
|-------|-----------|
| brand | MCCULLOCH |
|-------|-----------|

| | | |
|------|--------|-----------|
| date | FEB/04 | SHEET 1/4 |
|------|--------|-----------|

| | |
|---------------------|--------|
| Model | Prefix |
| SUPREME 300B | 01 |
| | |
| | |

| |
|------------------|
| Product number |
| 953900508 |
| |
| |

FIGURE 1

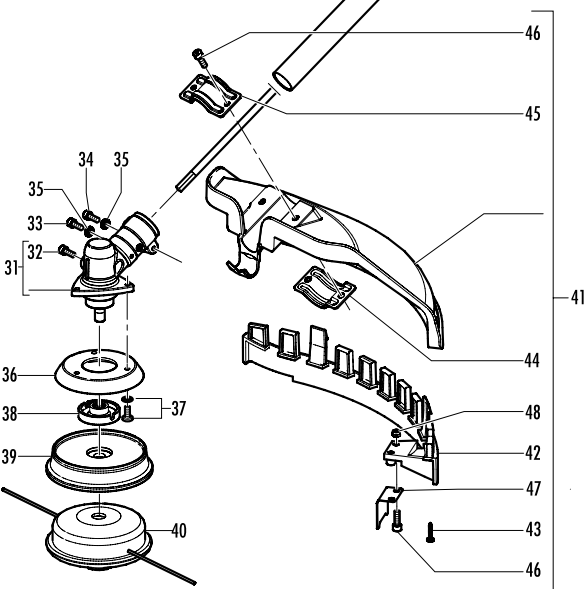
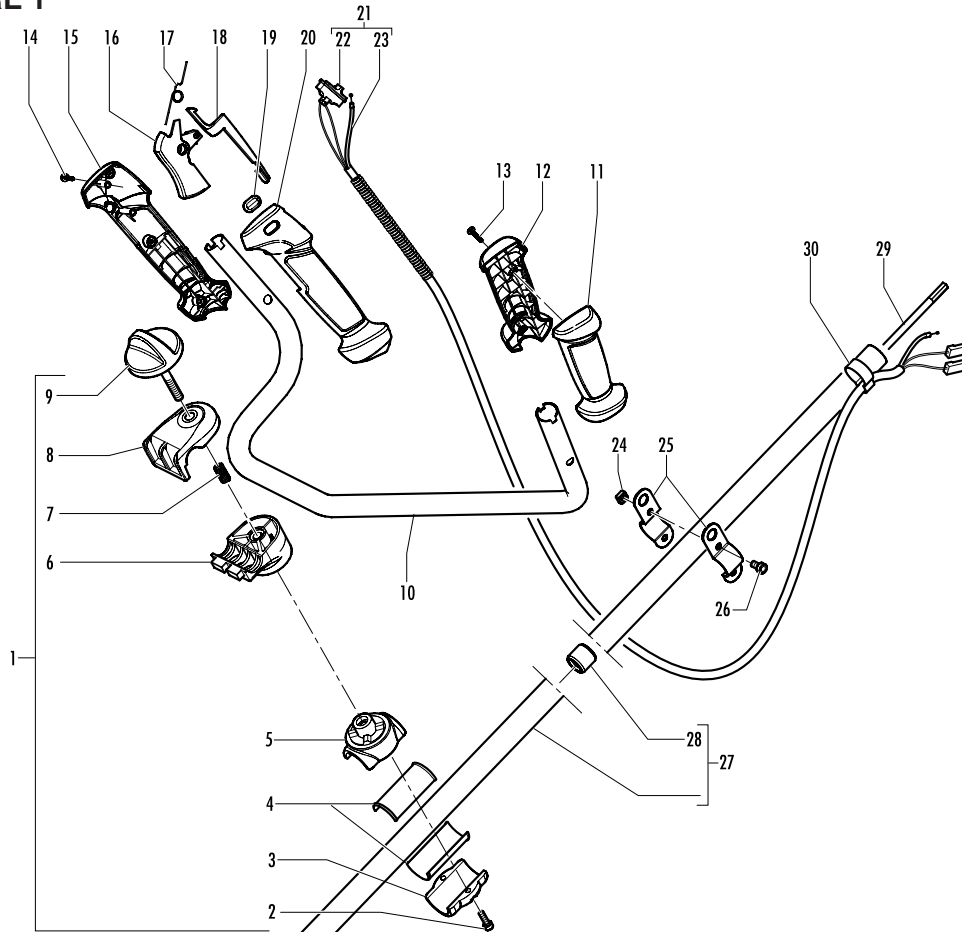


FIGURE 2

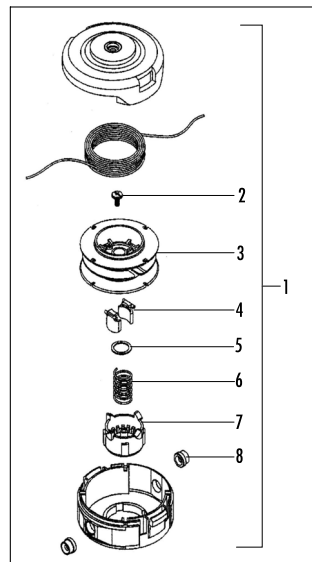
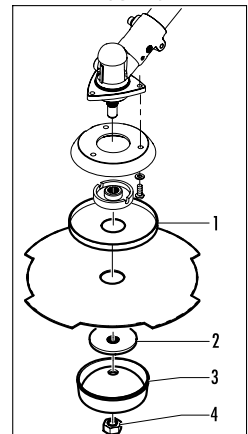


FIGURE 3



| | |
|-------|------------------|
| brand | MCCULLOCH |
|-------|------------------|

| | | |
|------|--------|-----------|
| date | FEB/04 | SHEET 2/4 |
|------|--------|-----------|

| | |
|---------------------|--------|
| Model | Prefix |
| SUPREME 300B | 01 |
| | |
| | |

| |
|------------------|
| Product number |
| 953900508 |
| |
| |

FIGURA 1

| pos | P/N McC | P/N ELX | Qty | DESCRIPTION |
|------|----------|-----------|-----|---------------------------|
| 1 | 242902 | 538242902 | 1 | clamp ass'y |
| 2 | • 235806 | 538235806 | 2 | screw M5x20 |
| 3 | • 242900 | 538242900 | 1 | lower shaft clamp |
| 4 | • 241684 | 538241684 | 2 | plastic clamp |
| 5 | • 243122 | 538243122 | 1 | upper shaft clamp |
| 6 | • 242897 | 538242897 | 1 | lower double handle clamp |
| 7 | • 242901 | 538242901 | 1 | spring |
| 8 | • 242898 | 538242898 | 1 | upper double handle clamp |
| 9 | • 242917 | 538242917 | 1 | knob and M8x65 |
| 10 | 249249 | 538249249 | 1 | handle bar |
| 11 | 242536 | 538242536 | 1 | left handle (1/2) |
| 12 | 242535 | 538242535 | 1 | right handle (1/2) |
| 13 | 240862 | 538240862 | 1 | screw 4x18 |
| 14 | 240862 | 538240862 | 3 | screw 4x18 |
| 15 | 242533 | 538242533 | 1 | right handle (1/2) |
| 16 | 242537 | 538242537 | 1 | gas lever trigger |
| 17 | 242540 | 538242540 | 1 | trigger spring |
| 18 | 242538 | 538242538 | 1 | trigger safety |
| 19 | 242648 | 538242648 | 1 | rubber cap |
| 20 | 242534 | 538242534 | 1 | left handle (1/2) |
| C 21 | 242930 | 538242930 | 1 | wires ass'y |
| C 22 | • 242439 | 538242439 | 1 | switch |
| C 23 | • 243061 | 538243061 | 1 | throttle cable |
| 24 | 236642 | 538236642 | 2 | nut M6 |
| 25 | 228152 | 538228152 | 2 | harness ring |
| 26 | 235911 | 538235911 | 2 | screw M6x12 |
| C 27 | 242442 | 538242442 | 1 | shaft ass'y |
| C 28 | • 228192 | 538228192 | 5 | bushing ass'y |
| C 29 | 240486 | 538240486 | 1 | drive shaft |
| 30 | 229850 | 538229850 | 2 | ring |
| 31 | 242728 | 538242728 | 1 | Gear box |
| 32 | • 240151 | 538240151 | 1 | screw M8x10 |
| 33 | 235802 | 538235802 | 1 | screw 5x14 |
| 34 | 235803 | 538235803 | 1 | screw 5x25 |
| 35 | 236529 | 538236529 | 2 | split washer |
| 36 | 242729 | 538242729 | 1 | flange adapter |
| 37 | 240688 | 538240688 | 3 | screw M5 and washer |
| A 38 | 242815 | 538242815 | 1 | flange |
| B 39 | 242823 | 538242823 | 1 | spacer |

| pos | P/N McC | P/N ELX | Qty | DESCRIPTION |
|------|----------|-----------|-----|-----------------|
| A 40 | FIGURE 2 | | 1 | string head |
| B 41 | 249155 | 538249155 | 1 | guard ass'y |
| B 42 | • 242644 | 538242644 | 1 | guard extension |
| 43 | • 240862 | 538240862 | 1 | screw M4x18 |
| 44 | • 242752 | 538242752 | 1 | lower clamp |
| 45 | • 242629 | 538242629 | 1 | upper clamp |
| 46 | • 227563 | 538227563 | 4 | screw M5x16 |
| 47 | • 241973 | 538241973 | 1 | line cutter |
| 48 | • 229208 | 538229208 | 2 | nut |

FIGURE 2

| | | | | |
|-----|----------------------|-----------|---|---------------|
| A 1 | 538249346 | 538249346 | 1 | string head |
| 2 | • 249374 | 538249374 | 1 | set screw |
| C 3 | • 249375 | 538249375 | 1 | reel |
| C 4 | • 249376 | 538249376 | 2 | ratchet |
| C 5 | • 249377 | 538249377 | 1 | washer |
| C 6 | • 249378 | 538249378 | 1 | return spring |
| C 7 | • 249379 | 538249379 | 1 | button |
| C 8 | • 249380 | 538249380 | 2 | eyelet |

FIGURE 3

| | | | | |
|-----|--------|-----------|---|-------------|
| B 1 | 241155 | 538241155 | 1 | flange |
| A 2 | 241006 | 538241006 | 1 | plate blade |
| A 3 | 236596 | 538236596 | 1 | cup |
| A 4 | 240481 | 538240481 | 1 | nut |

| | | | |
|-------------------|-----------------|-------------------|--------------------|
| A= ALTA ROTAZIONE | A=HIGH MOVING | A=HAUTE DEMANDE | A=GROBE NACHFRAGE |
| B=MEDIA ROTAZIONE | B=MEDIUM MOVING | B=MOYENNE DEMANDE | B=MITTELMAEßIGE |
| C=BASSA ROTAZIONE | C=SLOW MOVING | C=BASSE DEMANDE | C=WENIGE NACHFRAGE |
| NUOVI CODICI | NEW CODE | NOUVEAU CODE | NEU KODEX |

| | |
|-------|-----------|
| brand | MCCULLOCH |
|-------|-----------|

| | | |
|------|--------|-----------|
| date | FEB/04 | SHEET 3/4 |
|------|--------|-----------|

| | |
|---------------------|--------|
| Model | Prefix |
| SUPREME 300B | 01 |
| | |
| | |

| |
|------------------|
| Product number |
| 953900508 |
| |
| |

FIGURE 4

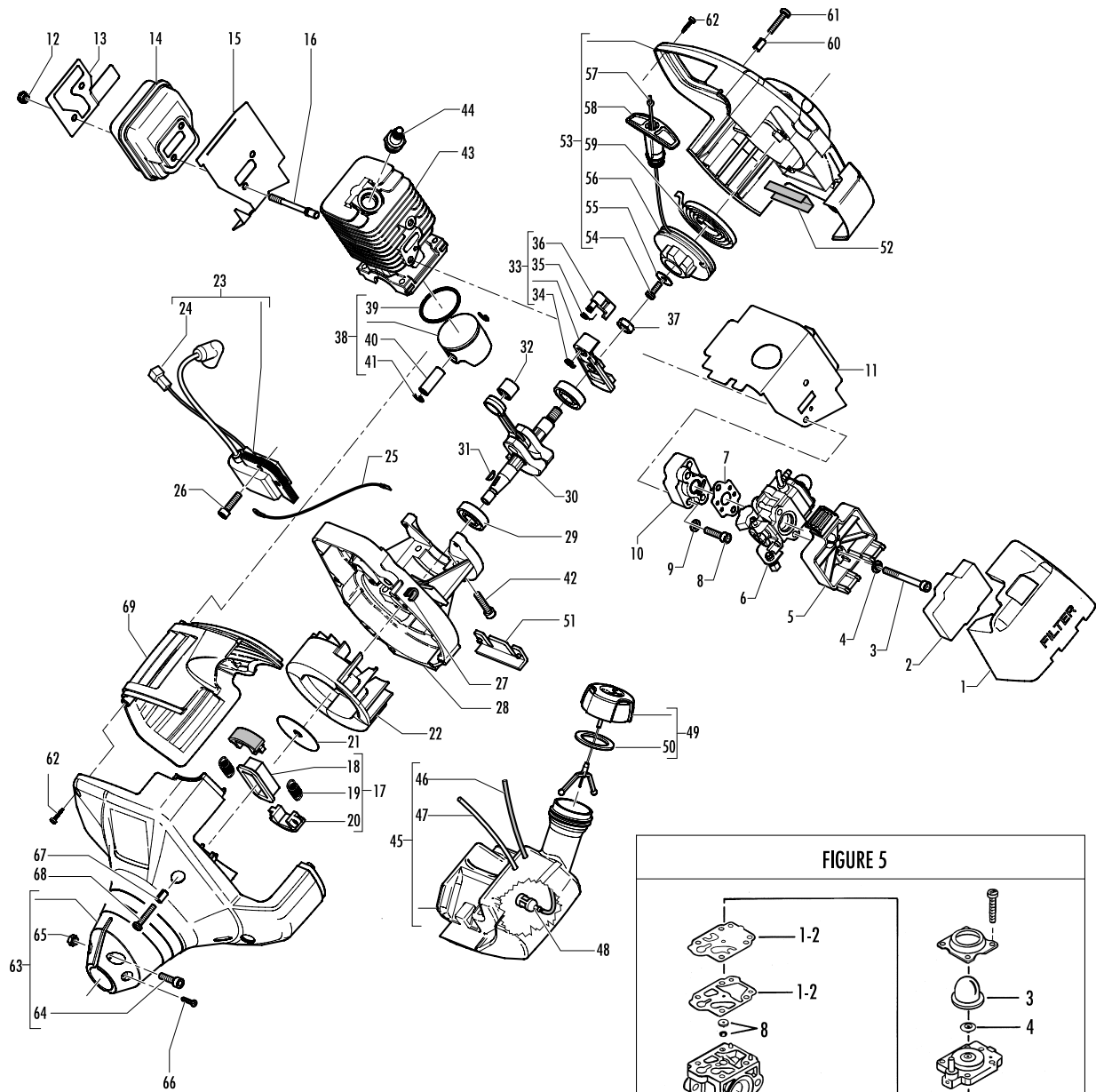
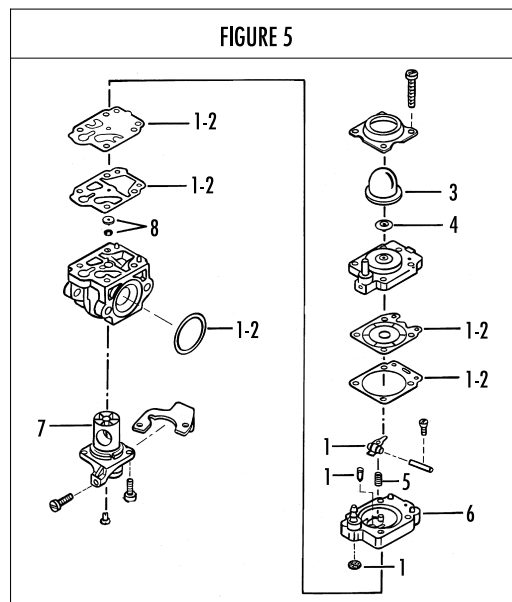


FIGURE 5



| | |
|-------|------------------|
| brand | MCCULLOCH |
|-------|------------------|

| | | |
|------|--------|-----------|
| date | FEB/04 | SHEET 4/4 |
|------|--------|-----------|

| | |
|---------------------|--------|
| Model | Prefix |
| SUPREME 300B | 01 |
| | |
| | |

| |
|------------------|
| Product number |
| 953900508 |
| |
| |

FIGURE 4

| pos | P/N McC | P/N ELX | Qty | DESCRIPTION |
|------|----------|-----------|-----|-----------------------|
| C 1 | 242848 | 538242848 | 1 | filter cover |
| A 2 | 242888 | 538242888 | 1 | air filter |
| 3 | 235808 | 538235808 | 2 | screw M5x50 |
| 4 | 235248 | 538235248 | 2 | washer M5 |
| C 5 | 242847 | 538242847 | 1 | filter housing |
| C 6 | FIGURE 5 | | | carburettor |
| A 7 | 242851 | 538242851 | 1 | spacer gasket |
| 8 | 242173 | 538242173 | 2 | screw M5x30 |
| 9 | 235248 | 538235248 | 2 | washer M5 |
| C 10 | 242849 | 538242849 | 1 | spacer |
| B 11 | 242860 | 538242860 | 1 | cylinder gasket |
| 12 | 235642 | 538235642 | 2 | nut M5 |
| 13 | 242962 | 538242962 | 1 | muffler shield |
| C 14 | 242131 | 538242131 | 1 | muffler |
| B 15 | 242859 | 538242859 | 1 | muffler gasket |
| 16 | 242037 | 538242037 | 2 | muffler stud bolt |
| B 17 | 241793 | 538241793 | 1 | clutch ass'y |
| 18 | • 241789 | 538241789 | 1 | clutch hub |
| A 19 | • 241794 | 538241794 | 2 | spring |
| 20 | • 241743 | 538241743 | 2 | clutch shoe |
| 21 | 241604 | 538241604 | 1 | clutch dust shield |
| 22 | 241796 | 538241796 | 1 | flywheel |
| C 23 | 249387 | 538249387 | 1 | ignition coil ass'y |
| 24 | • 242959 | 538242959 | 1 | switch wire |
| 25 | 242891 | 538242891 | 1 | ground wire |
| 26 | 235806 | 538235806 | 2 | screw M5x20 |
| 27 | 242895 | 538242895 | 1 | wires protection |
| 28 | 242029 | 538242029 | 1 | Engine crankcase |
| C 29 | 242030 | 538242030 | 2 | grommet/bearing ass'y |
| 30 | 242003 | 538242003 | 1 | crank shaft ass'y |
| C 31 | 227631 | 538227631 | 1 | key |
| C 32 | 235742 | 538235742 | 1 | needle bearing |
| C 33 | 241784 | 538241784 | 1 | starter pawl ass'y |
| 34 | • 111088 | 538111088 | 1 | snap ring |
| 35 | • 241782 | 538241782 | 1 | spring |
| 36 | • 241781 | 538241781 | 1 | pawl |
| 37 | 241624 | 538241624 | 1 | nut M8 |
| C 38 | 249179 | 538249179 | 1 | piston kit |
| B 39 | • 242602 | 538242602 | 1 | piston ring |

| pos | P/N McC | P/N ELX | Qty | DESCRIPTION |
|------|----------|-----------|-----|------------------|
| 40 | • 241735 | 538241735 | 1 | piston pin |
| 41 | • 235008 | 538235008 | 2 | snap ring |
| 42 | 235803 | 538235803 | 4 | screw M5x25 |
| C 43 | 242543 | 538242543 | 1 | cylinder |
| A 44 | 322208 | 538322208 | 1 | RDJ6J Spark plug |
| C 45 | 242889 | 538242889 | 1 | fuel tank ass'y |
| B 46 | • 229789 | 538229789 | 1 | hose |
| B 47 | • 242527 | 538242527 | 1 | primer bulb hose |
| A 48 | 93720 | 538093720 | 1 | fuel pickup |
| B 49 | 242484 | 538242484 | 1 | fuel cap ass'y |
| B 50 | • 236564 | 538236564 | 1 | cap seal |
| 51 | 242038 | 538242038 | 1 | tank grommet |
| 52 | 242039 | 538242039 | 1 | tank grommet |
| C 53 | 242886 | 538242886 | 1 | starter ass'y |
| 54 | • 241077 | 538241077 | 1 | screw 4x14 |
| 55 | • 241703 | 538241703 | 1 | washer |
| B 56 | • 241620 | 538241620 | 1 | starter pulley |
| A 57 | • 241746 | 538241746 | 1 | starter rope |
| 58 | • 242852 | 538242852 | 1 | starter handle |
| B 59 | • 241619 | 538241619 | 1 | starter spring |
| 60 | 228260 | 538228260 | 3 | bushing |
| 61 | 241963 | 538241963 | 3 | screw M4x22 |
| 62 | 240862 | 538240862 | 3 | screw 4x18 |
| C 63 | 242887 | 538242887 | 1 | joint ass'y |
| 64 | • 235806 | 538235806 | 1 | screw 5x20 |
| 65 | • 235216 | 538235216 | 1 | nut |
| 66 | 229632 | 538229632 | 1 | screw 3.5x13 |
| 67 | 241617 | 538241617 | 4 | bushing |
| 68 | 241963 | 538241963 | 4 | screw 4x22 |
| 69 | 242845 | 538242845 | 1 | engine cover |

FIGURE 5 WALBRO WYJ 358

| | | | | |
|-----|-----------|-----------|---|--------------------|
| B | 242885 | 538242885 | 1 | carburetor WYJ538 |
| A 1 | • 247955 | 538247955 | 1 | repair kit K20 WYJ |
| C 2 | •• 247956 | 538247956 | 1 | repair kit D20 WYJ |
| C 3 | • 225834 | 538225834 | 1 | primer |
| C 4 | • 247957 | 538247957 | 1 | valve |
| C 5 | • 247958 | 538247958 | 1 | spring |
| C 6 | • 249419 | 538249419 | 1 | pumping body |
| C 7 | • 249418 | 538249418 | 1 | valve |
| C 8 | • 249417 | 538249417 | 1 | jet |

| | | | |
|-------------------|-----------------|-------------------|--------------------|
| A= ALTA ROTAZIONE | A=HIGH MOVING | A=HAUTE DEMANDE | A=GROBE NACHFRAGE |
| B=MEDIA ROTAZIONE | B=MEDIUM MOVING | B=MOYENNE DEMANDE | B=MITTELMAEßIGE |
| C=BASSA ROTAZIONE | C=SLOW MOVING | C=BASSE DEMANDE | C=WENIGE NACHFRAGE |
| NUOVI CODICI | NEW CODE | NOUVEAU CODE | NEU KODEX |